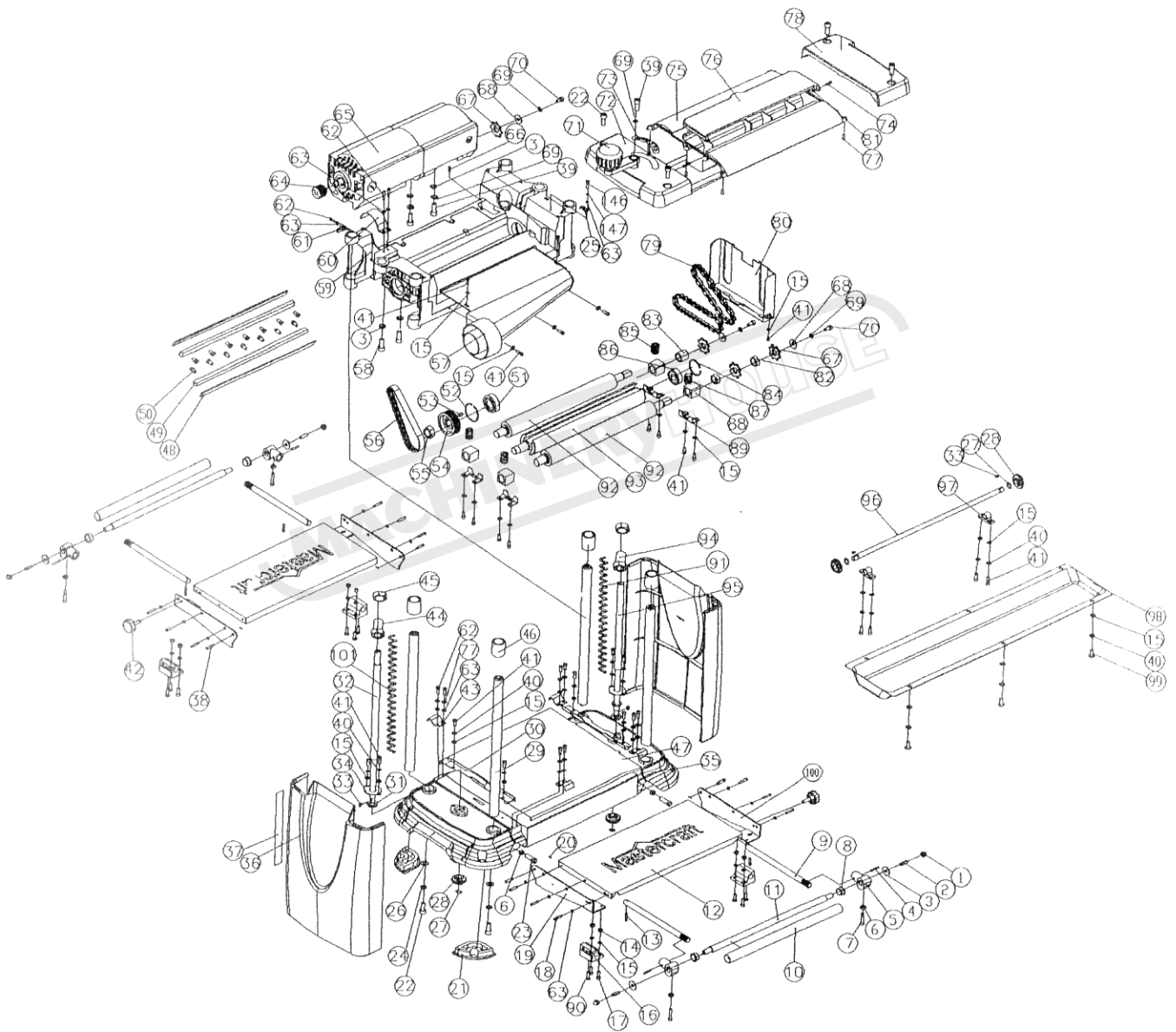


IX. Replacement parts

No.	Description	Qty	No.	Description	Qty	No.	Description	Qty
1	Nut, M6	4	52	Retainer 40	1	103	Screw, M5x10	2
2	Thread rod 6x25	4	53	Key, 5x11	1	104	Motor housing	1
3	Flat washer 6	8	54	Driven wheel	1	105	Stator	1
4	Spring pin, 3x18	4	55	Nut, M16x1.5	1	106	Baffle plate	1
5	Jointer	4	56	Belt	1	107	Bearing 6200-2Z	1
6	Nut, M6	8	57	Dust chute	1	108	Screw, M5x60	2
7	Screw, M6x20	4	58	Screw ST6x20	2	109	Armature	1
8	Stopper (B)	4	59	Body	1	110	Bearing 6200-2Z	1
9	Extension bar	4	60	C-cover	1	111	Gear box cover	1
10	Roll pole	2	61	Indicator	1	112	Bearing (C)	2
11	Shaft	2	62	Screw, M4x10	4	113	Gear (B)	1
12	Extension table	2	63	Flat washer 4	17	114	Switch	1
13	Spring pin, 3x16	4	64	Sprocket wheel	1	115	Shaft (A)	1
14	Nut, M5	8	65	Motor assembly	1	116	Power cord	1
15	Flat washer, 5	41	66	Stop pin	2	117	Cord bushing	1
16	Bar holder	4	67	Sprocket gear	4	118	Strain relief	1
17	Hex bolt, M5x16	8	68	Washer	3	119	Screw, ST4.2x12	4
18	Screw, M4x8	12	69	Spring washer 6	6	120	Shaft (B)	1
19	Link block	2	70	Screw, M6x16	3	121	Key, 3x7	1
20	Pin, Φ 2.5x12	4	71	Crank handle assembly	1	122	Gear (C)	1
21	Rubber feet	4	72	Top guard (B)	1	123	Bearing (D)	2
22	Screw, M8x20	8	73	Rotation mark	1	124	Sleeve	2
23	Hex bolt, M6x25	4	74	Screw M4x20	2	125	Wave washer 4	3
24	Spring washer 8	4	75	Tool box	1	126	Screw, ST5x60	1
25	Cable clip	1	76	Tool box cover	1	127	Screw, ST5x50	3
26	Flat washer 8	4	77	Screw, M4x8	6	128	Shaft	1
27	Retainer 10	4	78	Top guard (A)	1	129	Key, 4x10	1
28	Cone gear	4	79	Chain	2	130	Bearing	1
29	Column	4	80	Side cover	1	131	Motor label	1
30	Guide plate	2	81	Nut M4	2	132	Carbon brush	2
31	Spacer	2	82	Bushing (A)	3	133	Brush cap	2
32	Threaded pole (A)	1	83	Bushing (B)	1	134	Retainer 16	1
33	Key, 4x8	4	84	Retainer 37	1	135	Gear (A)	1
34	Block	2	85	Spring (A)	1	136	Bearing	1
35	Base	1	86	Bearing 6202-2RZ	1	137	Gear box	1
36	Side cover	2	87	Spring (B)	3	138	Sponge pad	1
37	Scale	1	88	Bearing (A)	4	139	Dust guard	1
38	Rivet 6x25	4	89	Bearing clamp	4	140	Current protector	1
39	Screw M6x20	3	90	Screw, M5x10	4	141	Plug	4
40	Spring washer 5	18	91	Compression spring (B)	1	142	Screw, ST3x8	2
41	Screw, M5x12	29	92	Roller guide	2	143	Cover	1
42	Knob	2	93	Blade shaft	1	144	Nut, M12	1
43	Spring block	4	94	Thread sleeve (LH)	1	145	Block	1
44	Thread sleeve	1	95	Thread pole (B)	1	146	Screw, M4x12	1
45	Adjustment nut	2	96	Transport rod	1	147	Spring washer 4	1
46	Spacer	4	97	Bearing (B)	2			
47	Work table	1	98	Anti-dust cover	1	999	Instruction manual (not shown)	1
48	Blade	2	99	Screw, M5x8	6			
49	Blade clamp	2	100	Link block (RH)	2			
50	Screw	14	101	Compression spring (A)	1			
51	Bearing 6203-2RZ	1	102	Brush holder	2			

IX. Replacement parts (continued)



IX. Replacement parts (continued)

Motor Assembly

